

ROE
CREATIVE DISPLAY



Ruby-C 2.6

The Next Level Curving LED Panel for Rental Solutions

INDOOR LED PANELS

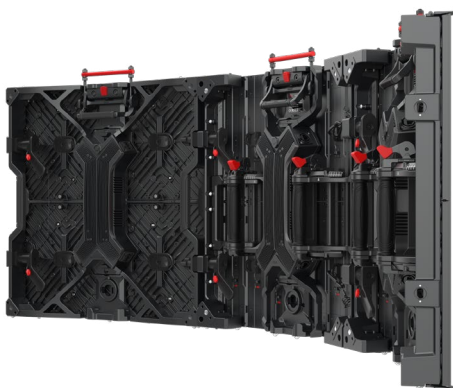
Perfect Curves

Using the Ruby-C LED panels you can create smooth and perfect curved or flat displays.



Excellent Viewing Performance

With its high-brightness LED performance, the Ruby panels give an excellent visual performance for both direct viewing and in-camera visuals.



Synergy

The Ruby-C and Ruby panels are interchangeable. Combining both LED panel in one wall, you can create perfect curves.

Automatic Edge Protection

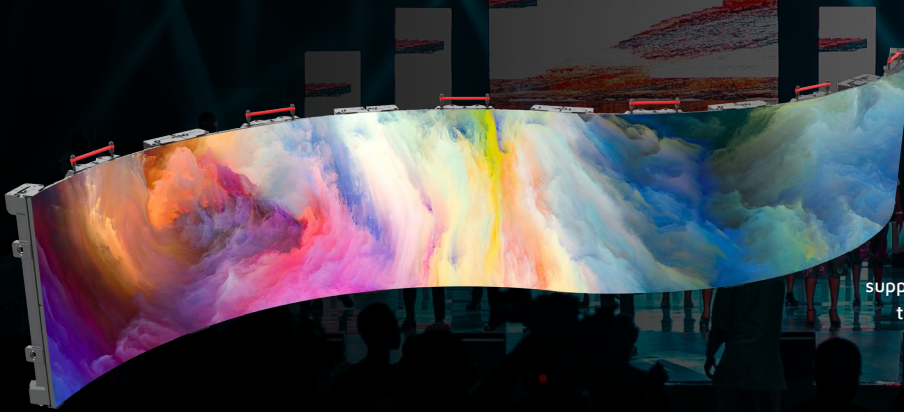
The Ruby LED panels incorporate automatic edge-protection on each panel corner, thereby reducing pixel damage drastically. The magnet assisted assembly and vertically operated side locks with Z-axis correction make assembly quick, accurate and easy.



Create Smooth and Stunning Curves

Are you up for limitless creativity?

Where regular LED panels don't go beyond 5-15 degree curving, the Ruby-C panels offer significant curving options. You can create curves up to 30 degrees; The bending is divided into 30 small steps to guarantee a smooth and even look.



Easy maintenance



HDR supported LED technology

HDR

Modular design
PSU and HUB combined
in one unit



High-brightness



Fast and Convenient Curve Adjustment

The Ruby-C panels are well designed with multi-function handles. Operation can be finished just in one hand, simply and fast adjusted as well.

Tunnel/Archway/
Wave concave or convex/
Cylinder/Flat set up



Automatic edge-protection



Easy Maintenance with Module Design

Offering both front and rear module service, the Ruby-C panels are easy to service. The integrated PSU and Hub units make on-site servicing easy and cost-effective.

Specifications

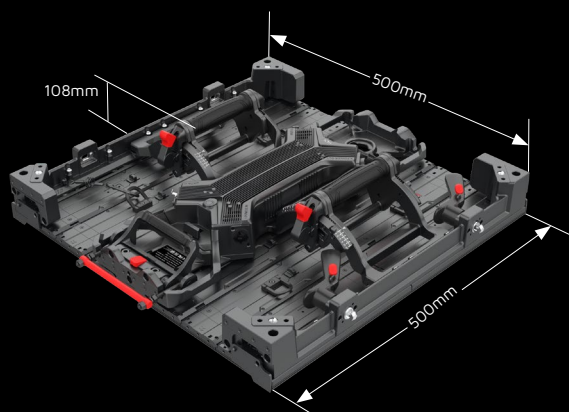
Ruby-C	RB-C 2.6
Pixel Pitch	2.604mm
Max Brightness Calibrated	1500nits
Panel Dimension	500mm x 500mm x 108mm 19.7" x 19.7" x 4.25"
Panel Resolution (H x V)	192 x 192
Panel Weight	8.3kg / 18.31lbs
Power Consumption Max / Average	160W / 80W
BTU Max / Average	545 / 250
Transparency	Solid
Serviceability	Rear
Curving (Concave & Convex) *1	Concave 30°-Convex 30°
Max. Hanging (panels) *2	20
Max. Stacking (panels)	12
LED Configuration	SMD 1515 Black
Viewing Angle Horizontal	140°
Viewing Angle Vertical	140°
Scan Ratio	1/12
Refresh Rate	7680Hz
Gray Scale	16bit
Frame Material	Magnesium Alloy
Processing Platform	Megapixel / Brompton
Operational Temp / Humidity	-20°-45°C, 10-90%RH -4°-113°F, 10-90%RH
Storage Temp / Humidity	-40°-60°C, 10-90%RH -40°-140°F, 10-90%RH
IP Rating	Indoor
Certifications	CE, ETL, FCC, UKCA

Notes: The Specifications are for reference, actual values may vary.

1. Convex ability only applies to custom tile, not the standard one.

2. The max. hanging amount is only valid when the ROE Visual hanging bar and complementary accessories are used and in an indoor situation, safety factor is 8. No climbing is allowed.

Dimensions



www.roevisual.com

ROE China | ROE US | ROE EU | ROE UK | ROE JP | ROE ME | ROE AUS
roe@roevisual.com